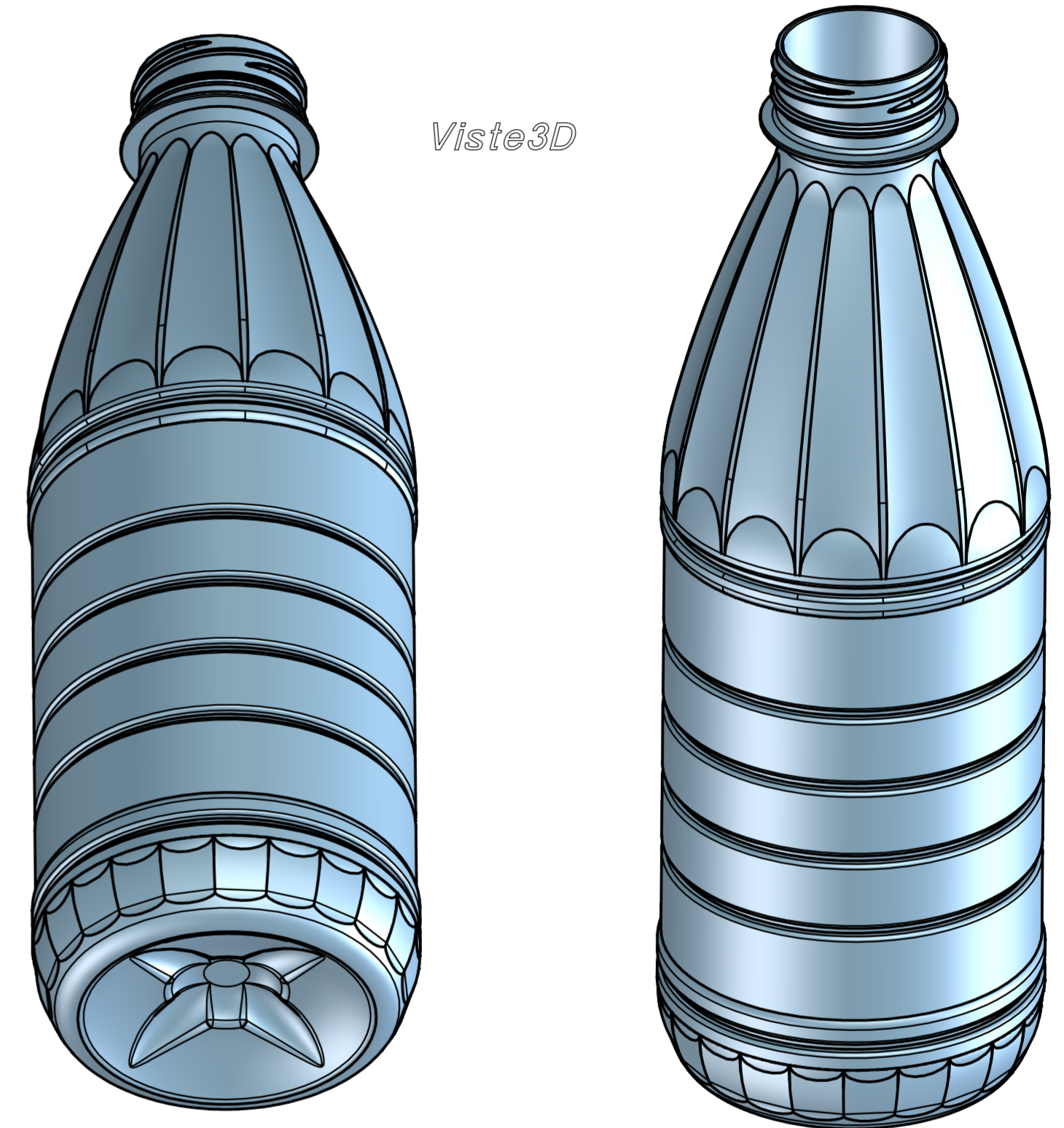
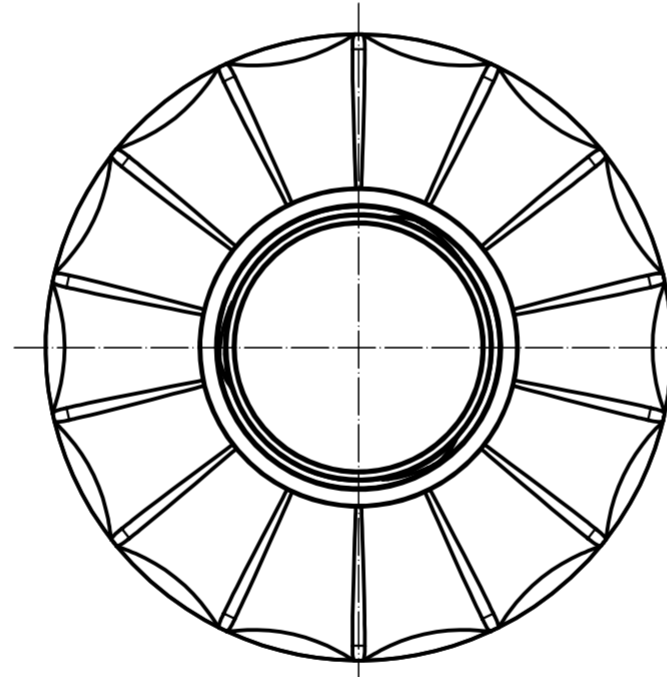
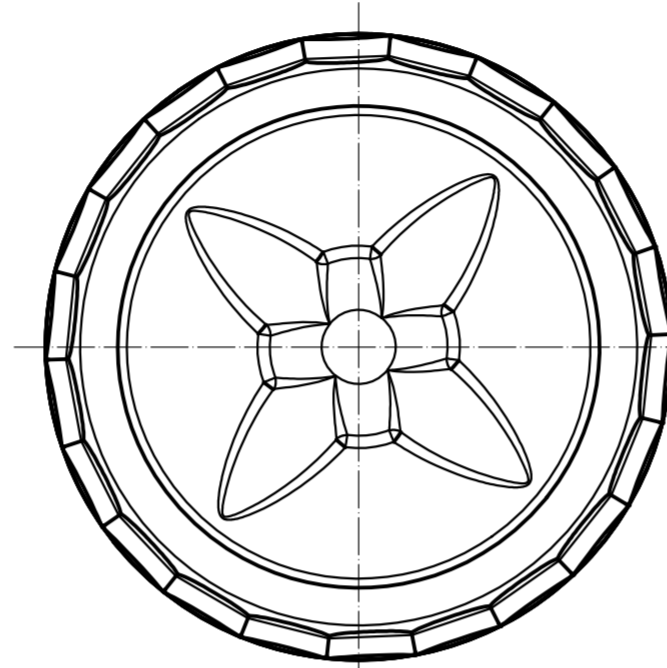
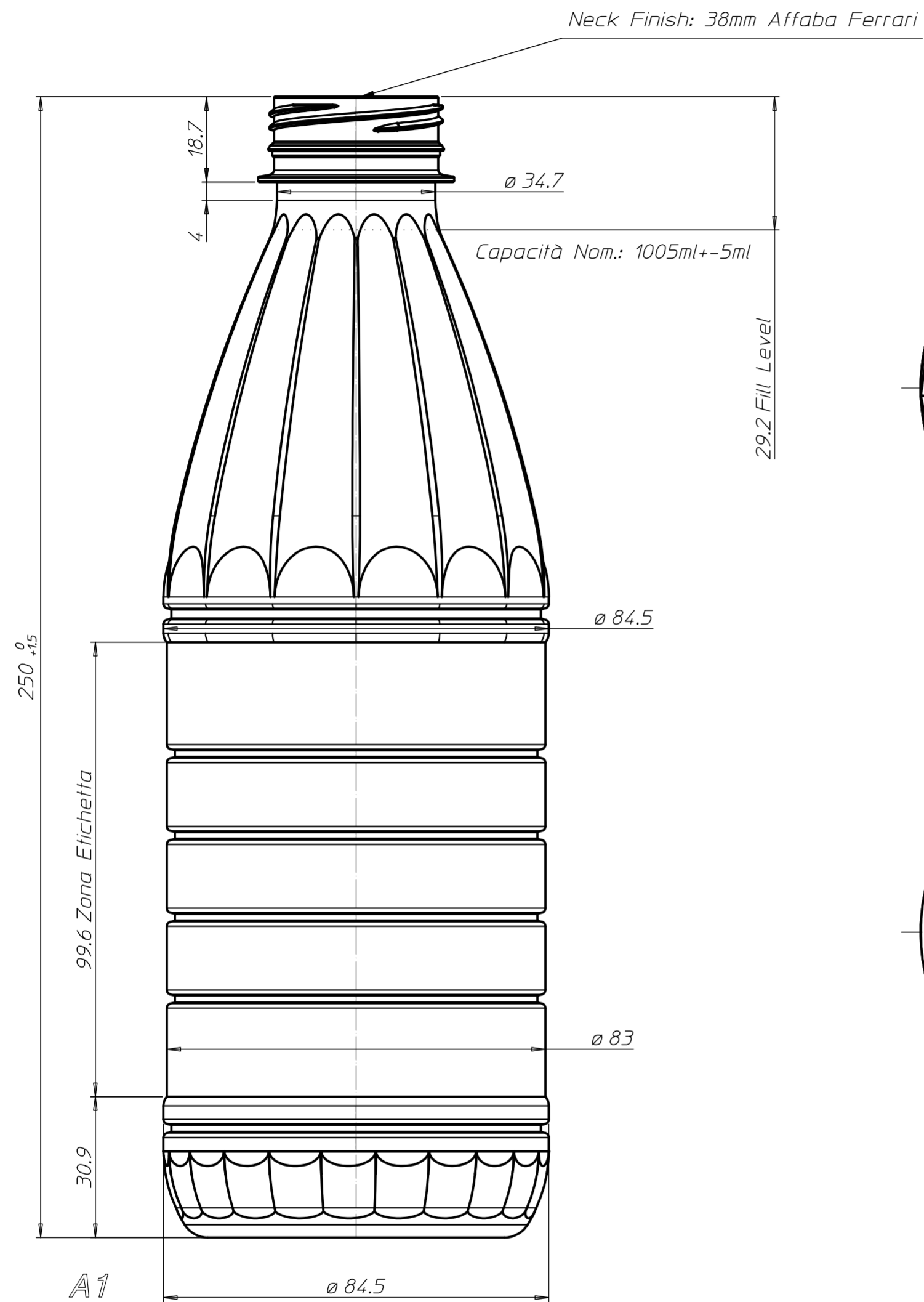


REV.	DATE	DESCRIPTION	BY
*	*	*	*



Designed by www.simexitaly.it

MATERIAL PET	QTY. REQUIRED *	HARD. TREAT. *	COATING SURF. *
PLASTEC s.r.l. Produzione contenitori in plastica Zona Ind. Campolungo- 21 63100 Ascoli Piceno -Italia- Tel. +39 0736 306266 Fax. +39 0736 306110 www.plastec-sr1.eu	PLASTEC s.r.l. Zona Ind. Campolungo- 21 63100 Ascoli Piceno -Italia- Tel. +39 0736 306266 Fax. +39 0736 306110 www.plastec-sr1.eu		THIS DOCUMENT IS THE EXCLUSIVE AND CONFIDENTIAL PROPERTY OF PLASTEC s.r.l. INFORMATION CONTAINED HEREIN WILL NOT BE DISCLOSED, REPRODUCED OR USED FOR ANY OTHER PURPOSE THAN THAT WHICH PLASTEC s.r.l. INTENDS.
	METRIC DIMENSIONS ARE IN MILLIMETERS 		
DRAWN l.p.	DATE 22.05.12	SCALE 1:1	TITLE Bottiglia 1lt Tonda STD./3
CHECKED p.l.	DATE *	SHEET 1 of 1	DESCRIPTION Disegno Definitivo
APPROVED c.p.	DATE *	JOB NO. *	DRAWING NO. 08_A
			FILE NO. *